



# Designer Decorator Dimmers & Fan Speed Controls

Create ambiance and save energy with new easy-to-install Decorator Dimmers

**COOPER** Wiring Devices



# Designer Decorator Dimmers & Fan Speed Controls

**COOPER** Wiring Devices

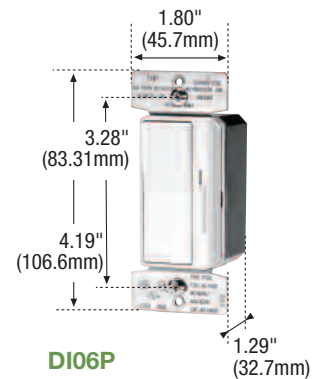
## Dimming & energy savings with elegant styling and superior performance

Our Designer Decorator dimmers & fan speed controls deliver the performance and styling your customers demand. With multiple labor-saving innovations and a complete line including fluorescent models, our affordable Decorator dimmers are ideal for any retrofit application or new construction.

## Residential Grade Decorator Slide Dimmers & Fan Controls

### FEATURES

- All units are available in combined single-pole / 3-way versions.
- Incandescent and Magnetic Low Voltage offered in single unit version.
- Fluorescent dimmer is compatible with Advance Mark 10®, AmbiStar® and Lutron Tu-wire® dimmable ballasts.
- Preset feature allows user to return to previous light setting when turning lights on.
- Large paddle style switch; switch on to selected preset light level or switch off.
- Replaces a standard switch and offers dimmer capabilities.
- Quiet Fan Speed Control version has special circuitry to reduce fan motor noise at low speeds.
- Integrated, stylish linear slide control for easy, precise operation.
- Square law dimming – perceived dimming level is proportional to the slider position.
- Radio Frequency Interference (RFI) filtering is standard on all models.
- Electrostatic discharge protection.
- Power failure memory.
- Low profile housing for more wiring room.
- Ground terminal meets 1999 NEC® requirement to ground dimmer.
- High-gloss finish complements any decor; UV stable color material and dirt-resistant surface.
- Extra-large mounting straps for easier installation.
- Slim, compact housing fits easily into a standard wallbox and is suitable for multi-gang installations.
- Fits standard Decorator-sized wallplate opening in regular or screwless wallplates.



### Back & Side Wire



Rating	Type	Description	Catalog No.	Available Colors
600 W/VA	Incandescent/ Magnetic Low Voltage	Dimmer, Single-Pole & 3-Way with Preset	□ DI06P-__	A, B, BK, LA, V, W
1000 W/VA	Incandescent/ Magnetic Low Voltage	Dimmer, Single-Pole & 3-Way with Preset	□ DI10P-__	A, B, BK, LA, V, W
600 W/VA	Electronic Low Voltage	Dimmer, Single-Pole & 3-Way with Preset	□ DE06P-__	A, LA, V, W
8A	Fluorescent (Mark 10®, AmbiStar®, & Tu-wire®)	Dimmer, Single-Pole & 3-Way with Preset	□ DF8AP-__	A, LA, V, W
1.5A	Quiet 3-Speed	Fan Speed Control, Single-Pole & 3-Way	□ DFS15P-__	A, LA, V, W

For ordering, include Cat. No. followed by the color code: A (Almond), B (Brown), BK (Black), LA (Light Almond), V (Ivory), W (White)

For de-rating chart and wiring diagrams, refer to specification sheet at [www.cooperwiringdevices.com](http://www.cooperwiringdevices.com).

### TESTING & CODE COMPLIANCE

- cULus Listed to UL 1472, file no. E47967
- NOM Certified

### MATERIAL CHARACTERISTICS

- Environmental: Flammability meets UL 94 requirements, V2 rated
- Temperature Rating: 0°C to 40°C (32°F to 104°F)

Cooper Wiring Devices is a valuable trademark of Cooper Industries in the U.S. and other countries. You are not permitted to use the Cooper Trademarks without the prior written consent of Cooper Industries. ©2008 Cooper Industries, Ltd.

#### Cooper Wiring Devices United States

203 Cooper Circle  
Peachtree City, GA 30269  
P: 866-853-4293 F: 800-329-3055

[www.cooperwiringdevices.com](http://www.cooperwiringdevices.com)

#### Canada

5925 McLaughlin Road  
Mississauga, Ontario, L5R 1B8  
P: 800-267-1042 F: 800-761-5748

#### Mexico

Carr. Tlalnepantla – Cuautitlan Km 17.8 s/n  
Col. Villa Jardin esq.  
Cerrada 8 de Mayo  
Cuautitlan, Mexico CP 54800  
P: +525558999190 F: +525526207116