

TR Receptacles

Project Name:	Prepared By:
Project Number:	Date:
Catalog Number:	Type:



Tamper Resistant Receptacles

2-Pole, 3-Wire
15A 125V/AC
20A, 125V/AC

Single & Duplex Receptacles

FEATURES

- Provides compliance with 2008 NEC® Article 406.11 that states that all receptacles installed in dwelling units must be tamper resistant.
- Durable impact-resistant thermoplastic face and back body is virtually unbreakable.
- "TR" designation provides visual identification.
- Terminal screws are backed out and ready to wire.
- Extra-long and extra-wide mounting straps.
- Patented built-in wire stripper for #14 and #12 wire (#12 and #10 TR817, TR877, 9508TR, 9507TR, TR6350, TR6350) to speed installation.
- Side-wire terminals accept up to #10 solid or stranded wire.
- Push-in terminals accept #14 solid wire (TR270, TR1107 & 9500TR duplex devices only).



Residential Grade, Single & Duplex

Rating: A/V	NEMA	Description	Catalog No.	Available Colors
15 125	5-15R	Duplex Receptacle	<input type="checkbox"/> TR270__	A, B, BK, LA, V, W
		Duplex Receptacle, Auto Grounding	<input type="checkbox"/> TR270-9__	A, B, LA, V, W
		Decorator Duplex Receptacle	<input type="checkbox"/> TR1107__	A, B, GY, LA, V, W
		Decorator Duplex Receptacle, Auto Grounding	<input type="checkbox"/> TR1107-9__	A, BK, LA, V, W
		ASPIRE™ Duplex Receptacle	<input type="checkbox"/> 9505TR__	DS, SG, WS
		ASPIRE™ Single Receptacle	<input type="checkbox"/> 9507TR__	DS, SG, WS
20 125	5-20R	ASPIRE™ Single Receptacle	<input type="checkbox"/> 9508TR__	DS, SG, WS
		ASPIRE™ Duplex Receptacle	<input type="checkbox"/> 9510TR__	DS, SG, WS

Commercial Grade, Single & Duplex



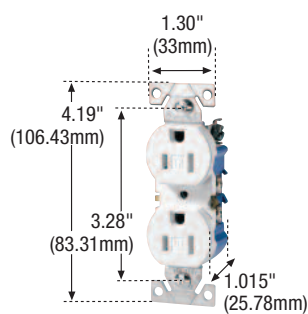
Rating: A/V	NEMA	Description	Catalog No.	Available Colors
15 125	5-15R	Single Receptacle	<input type="checkbox"/> TR817__	A, B, BK, GY, LA, V, W
		Duplex Receptacle*	<input type="checkbox"/> TRBR15__	A, B, BK, GY, LA, V, W
		Decorator Single Receptacle	<input type="checkbox"/> TR6250__	A, B, BK, GY, LA, V, W
		Decorator Duplex Receptacle	<input type="checkbox"/> TR6252__	A, B, BK, GY, LA, V, W
20 125	5-20R	Single Receptacle	<input type="checkbox"/> TR1877__	A, B, BK, LA, V, W
		Duplex Receptacle*	<input type="checkbox"/> TRBR20__	A, B, BK, GY, LA, RD, V, W
		Decorator Single Receptacle	<input type="checkbox"/> TR6350__	A, B, BK, GY, LA, V, W
		Decorator Duplex Receptacle	<input type="checkbox"/> TR6352__	A, B, BK, GY, LA, V, W

Specification Grade Duplex

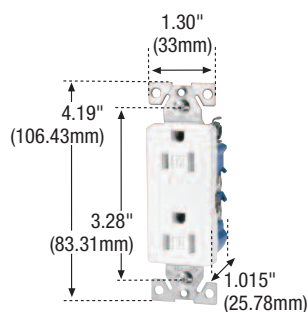


Rating: A/V	NEMA	Description	Catalog No.	Available Colors
15 125	5-15R	Duplex GFCI	<input type="checkbox"/> TRVGF15__	A, B, BK, GY, LA, V, W
		ASPIRE Duplex GFCI	<input type="checkbox"/> 9566TR__	DS, SG, WS
		Hospital Grade Duplex Receptacle*	<input type="checkbox"/> TR8200__	B, GY, RD, V, W
20 125	5-20R	Tamper Resistant Hospital Grade GFCI	<input type="checkbox"/> TRVGFH15__	B, GY, V, LA, RD, W
		Duplex GFCI	<input type="checkbox"/> TRVGF20__	A, B, BK, GY, LA, V, W
		ASPIRE Duplex GFCI	<input type="checkbox"/> 9569TR__	DS, SG, WS
		Hospital Grade Duplex Receptacle*	<input type="checkbox"/> TR8300__	B, GY, RD, V, W
		Tamper Resistant Hospital Grade GFCI	<input type="checkbox"/> TRVGFH20__	B, GY, V, LA, RD, W

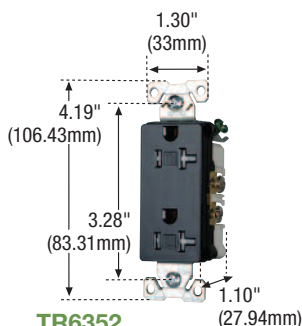
For ordering, include Cat. No. followed by the color code: A (Almond), B (Brown), BK (Black), GY (Gray), LA (Light Almond), RD (Red), V (Ivory), W (White), DS (Desert Sand), SG (Silver Granite), WS (White Satin)



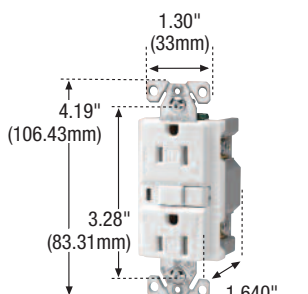
TR270



TR1107



TR6352



TRVGF15



5-15R 5-20R

TESTING & CODE COMPLIANCE

- cULus Listed to UL498, file nos. E60120 (TRVGF, 9566, 9569), E15058 (all others), except TR8200 & TR8300: Listed to UL498, file no. E140596.
- UL Certified to CSA C22.2, no. 42.
- TRVGF meets all UL943 and UL498 requirements.
- TRBR, TR8200/TR8300 UL verified to Fed. Spec. WC-596G.
- NOM/ANSI Certified.

MATERIAL CHARACTERISTICS

- Environmental: Flammability meets UL94 requirements; TR817, TR1877, TR6250, TR6252, TR6350, TR6352, 9566TR, 9569TR, TRBR, TRVGF, 9507TR, 9508TR, 9510TR V2 rated; TR270, TR1107, 9505TR V0 rated.
- Temperature Rating: TR270, TR1107, 9510TR: -20°C to 60°C (-4°F to 140°F); TR817, TR1877, TR6250, TR6252, TR6350, TR6352, TRBR, 9505TR, 9507TR, 9508TR; -20°C to 70°C (-4°F to 158°F); TRVGF, 9566TR, 9569TR: -35°C to 66°C (-31°F to 150.8°F); TR8200, TR8300 -40°C to 60°C (-40°F to 140°F).

TR Receptacles Specification & Performance Data

Project Name:	Prepared By:
Project Number:	Date:
Catalog Number:	Type:



Tamper Resistant Receptacles

2-Pole, 3-Wire
15A 125V/AC
20A, 125V/AC

Application

Tamper Resistant Receptacles contain a UL listed safety shutter system that prevents the insertion of foreign objects into receptacles. The safety shutters will open only upon insertion of a 2-prong or 3-prong plug. Installing these receptacles ensures compliance with 2008 NEC® Article 406.11. Areas of application include: new residential construction; remodel/retrofit residential construction; apartment buildings; condominiums and townhouses; hotels, motels, inns and suites with kitchenettes; retirement communities, nursing homes and assisted living facilities. (Note: 2008 NEC Article 406.11 applies to new construction only).

Receptacle Type	Residential Grade Duplex & Single TR270, TR1107, 9500TR Series	Commercial Grade Duplex & Single TR817, TR1877, TRBR TR6200, TR6300 Series	Specification Grade Duplex GFCI TRVGF, 9560TR Series	Hospital Grade Duplex TR8200, TR8300 Series
Wiring Type	Back & Side Wire 9509TR, 9510TR (except 9507 push & side wire)	Back & Side Wire (except TR817/TR1877 side wire only)	Back & Side Wire	Back & Side Wire
Testing & Code Compliance	<ul style="list-style-type: none"> cULus Listed to UL498, file no. E15058. UL Certified to CSA C22.2, no. 42. NOM/ANSI Certified. 	<ul style="list-style-type: none"> cULus Listed to UL498, file no. E15058. UL Certified to CSA C22.2, no. 42. NOM/ANSI Certified. TRBR UL verified to Fed. Spec. WC-596G. 	<ul style="list-style-type: none"> cULus Listed to UL498, file no. E60120. UL Certified to CSA C22.2, no. 42. Meets all UL943 (GFCI) and UL498 (Receptacles) requirements. NOM/ANSI Certified. 	<ul style="list-style-type: none"> Listed to UL498, file no. E140596. UL verified to Fed. Spec. WC-596. UL Certified to CSA C22.2, no. 42, file no. LR16063.
Specifications: Environmental	Flammability meets UL 94 requirements; TR1107, TR270, 9505TR V0 rated; 9507TR, 9508TR, 9510TR V2 rated. Temperature Rating: TR1107, TR270, 9505TR -20°C to 60°C (-4°F to 140°F); 9507TR, 9508TR, 9510TR -20°C to 70°C (-4°F to 158°F)	Flammability meets UL 94 requirements; V2 rated. Temperature Rating: -20°C to 70°C (-4°F to 158°F)	Flammability meets UL 94 requirements; V2 rated. Temperature Rating: -35°C to 66°C (-31°F to 150.8°F)	Flammability meets UL 94 requirements; V2 rated. Temperature Rating: -40°C to 60°C (-40°F to 140°F)
Electrical	Dielectric Voltage: withstands 2000V per UL498 Current interrupting: yes, at full-rated current Temperature Rise: max. 30°C (86°F) after 100 cycles of overload @ 150% of rated current (DC).	Dielectric Voltage: withstands 2000V per UL498 Current interrupting: yes, at full-rated current Temperature Rise: Standard - max. 30°C (86°F) after 100 cycles of overload @ 150% of rated current (DC). Fed. Spec. - max. 30°C (86°F) after 250 cycles of overload @ 200% of rated current (DC).	Dielectric Voltage: withstands 2000V per UL498 Current interrupting: yes, at full-rated current Temperature Rise: max. 30°C (86°F) after 100 cycles of overload @ 150% of rated current (DC).	Dielectric Voltage: withstands 2000V per UL498 Current interrupting: yes, at full-rated current Temperature Rise: max. 30°C (86°F) after 50 cycles of overload at 250% of rated current (DC).
Mechanical	Terminal Accommodation: #14 - #10 AWG Voltage ratings permanently marked on device.	Terminal Accommodation: #14 - #10 AWG Voltage ratings permanently marked on device.	Terminal Accommodation: #14 - #10 AWG Voltage ratings permanently marked on device.	Terminal Accommodation: #14 - #10 AWG Voltage ratings permanently marked on device.
Materials: Body Top & Bottom	TR1107, TR270, 9505TR - PVC 9507TR, 9508TR - Nylon 9510TR - PVC Top, Nylon Bottom	Thermoplastic, Nylon	Thermoplastic, Nylon	Thermoplastic, Nylon
Strap	Galvanized Steel TR1107, TR270, 9505TR Nickel Plated Steel 9507TR, 9508TR, 9510TR	Galvanized Steel	Galvanized Steel	Brass
Contacts	Brass Alloy	Brass Alloy	Brass Alloy	Nickel-Plated Brass
Terminal Screws	Brass/Nickel-Plated Steel	Brass/Nickel-Plated Steel	Brass/Nickel-Plated Steel	Brass/Nickel-Plated Steel
Terminal Clamps	Brass Plated 9507TR, 9508TR; Steel 9510TR	Steel (TR817/TR1877 N/A)	Steel Brass Plated	Nickel-Plated Brass

WR & TWR Receptacles

Project Name:	Prepared By:
Project Number:	Date:
Catalog Number:	Type:



Weather Resistant and Tamper & Weather Resistant Receptacles

2-Pole, 3-Wire
15A 125V/AC
20A, 125V/AC

Duplex Receptacles

FEATURES

- Provides compliance with 2008 NEC® Article 406.8 that states that all receptacles installed in wet and damp locations must be weather resistant.
- Manufactured with the highest grade materials; durable impact-resistant thermoplastic face and back body is virtually unbreakable.
- “TR” and “WR” designations provide visual identification.
- Terminal screws are backed out and ready to wire.
- Extra-long and extra-wide mounting straps.
- Patented built-in wire stripper for #14 and #12 wire to speed installation.
- Side-wire terminals accept up to #10 solid or stranded wire.
- Push-in terminals accept #14 solid wire (TWR270 duplex devices only).

WR Commercial Grade



Rating: A/V	NEMA	Description	Catalog No.	Available Colors
15 125	5-15R	Duplex Receptacle	□ WRBR15__	W
20 125	5-20R	Duplex Receptacle	□ WRBR20__	W

WR Specification Grade GFCI



Rating: A/V	NEMA	Description	Catalog No.	Available Colors
15 125	5-15R	Duplex GFCI	□ WRVGF15__	W
20 125	5-20R	Duplex GFCI	□ WRVGF20__	W

TWR Residential Grade



Rating: A/V	NEMA	Description	Catalog No.	Available Colors
15 125	5-15R	Duplex Receptacle	□ TWR270__	W

TWR Commercial Grade



Rating: A/V	NEMA	Description	Catalog No.	Available Colors
15 125	5-15R	Duplex Receptacle	□ TWRBR15__	W
20 125	5-20R	Duplex Receptacle	□ TWRBR20__	W

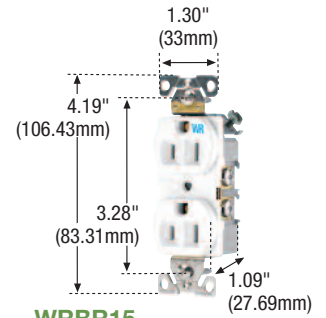
TWR Specification Grade GFCI



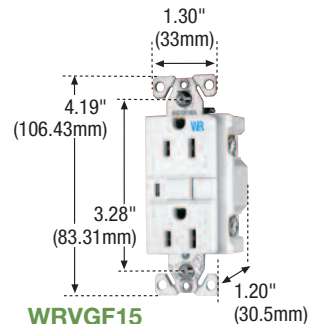
Rating: A/V	NEMA	Description	Catalog No.	Available Colors
15 125	5-15R	Duplex GFCI	□ TWRVGF15__	W
20 125	5-20R	Duplex GFCI	□ TWRVGF20__	W

For ordering, include Cat. No. followed by the color code: W (White)

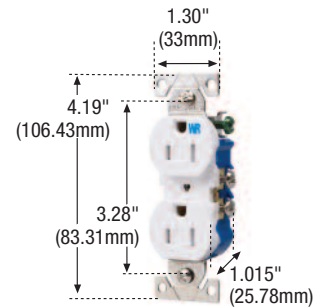
Related Products



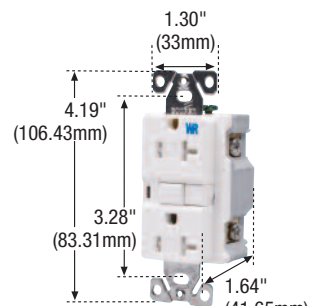
WRBR15



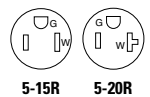
WRVGF15



TWR270



TWRVGF20



TESTING & CODE COMPLIANCE

- cULus Listed to UL498.
- UL Certified to CSA C22.2, no. 42.
- WRVGF & TWRVGF meet all UL943 (GFCI) and UL498 (Receptacles) requirements.
- WRBR and TWRBR UL verified to Fed. Spec. WC-596G.
- NOM/ANSI Certified.

MATERIAL CHARACTERISTICS

- Environmental: Flammability meets UL94 requirements; TWR270 V0 rated; WRVGF, WRBR, TWRBR, TWRVGF V0 rated.
- Temperature Rating: TWR270: -20°C to 60°C (-4°F to 140°F), WRVGF, TWRVGF: -35°C to 66°C (-31°F to 150.8°F).

WR & TWR Receptacles

Specification & Performance Data

Project Name:	Prepared By:
Project Number:	Date:
Catalog Number:	Type:



Weather Resistant and Tamper & Weather Resistant Receptacles

2-Pole, 3-Wire Grounding
15A, 125V
20A, 125V

Application

Weather Resistant Receptacles are constructed of enhanced nylon and corrosion resistant metal components for use in damp and wet locations. Installing these receptacles properly in an approved weather protective cover ensures compliance with 2008 NEC® Article 406.8. Tamper and Weather Resistant Receptacles add a UL listed safety shutter system that prevents the insertion of foreign objects into receptacles to the Weather Resistant devices. Installing these receptacles properly in an approved weather protective cover ensures compliance with 2008 NEC® Article 406.8 and 406.11. Areas of application include: residential decks, porches, patios, garages and yards; commercial convenience outlets in damp or wet areas; residential, multi-family or commercial dwelling units; residential, multi-family or commercial pool and spa areas; indoor or outdoor public facilities and recreation areas.

Receptacle Type	Weather Resistant Commercial Grade Duplex WRBR Series	Weather Resistant Specification Grade GFCI WRVGF Series	Tamper & Weather Resistant Residential Grade TWR270 Series	Tamper & Weather Resistant Commercial Grade TWRBR Series	Tamper & Weather Resistant Specification Grade TWRVGF Series
Wiring Type	Back & Side Wire	Back & Side Wire	Push & Side Wire	Back & Side Wire	Back & Side Wire
Testing & Code Compliance	<ul style="list-style-type: none"> cULus Listed to UL498. UL Certified to CSA C22.2, no. 42. UL verified to Fed. Spec. WC-596G. NOM/ANSI Certified. 	<ul style="list-style-type: none"> cULus Listed to UL498. UL Certified to CSA C22.2, no. 42. Meets all UL943 (GFCI) and UL498 (Receptacles) requirements. NOM/ANSI Certified. 	<ul style="list-style-type: none"> cULus Listed to UL498. UL Certified to CSA C22.2, no. 42. NOM/ANSI Certified. 	<ul style="list-style-type: none"> cULus Listed to UL498. UL Certified to CSA C22.2, no. 42. UL verified to Fed. Spec. WC-596G. NOM/ANSI Certified. 	<ul style="list-style-type: none"> cULus Listed to UL498. UL Certified to CSA C22.2, no. 42. Meets all UL943 (GFCI) and UL498 (Receptacles) requirements. NOM/ANSI Certified.
Specifications: Environmental	Flammability meets UL 94 requirements; V2 rated. Temperature Rating: -20°C to 70°C (-4°F to 158°F)	Flammability meets UL 94 requirements; V2 rated. Temperature Rating: -35°C to 66°C (-31°F to 150.8°F)	Flammability meets UL 94 requirements; V0 rated. Temperature Rating: -20°C to 60°C (-4°F to 140°F)	Flammability meets UL 94 requirements; V2 rated. Temperature Rating: -20°C to 70°C (-4°F to 158°F)	Flammability meets UL 94 requirements; V2 rated. Temperature Rating: -35°C to 66°C (-31°F to 150.8°F)
Electrical	Dielectric Voltage: withstands 2000V per UL498 Current interrupting: yes, at full-rated current Temperature Rise: Standard - max. 30°C (86°F) after 250 cycles of overload @ 150% of rated current (DC). Fed. Spec. - max. 30°C (86°F) after 250 cycles of overload @ 200% of rated current (DC).	Dielectric Voltage: withstands 2000V per UL498 Current interrupting: yes, at full-rated current Temperature Rise: max. 30°C (86°F) after 100 cycles of overload.	Dielectric Voltage: withstands 2000V per UL498 Current interrupting: yes, at full-rated current Temperature Rise: max. 30°C (86°F) after 100 cycles of overload.	Dielectric Voltage: withstands 2000V per UL498 Current interrupting: yes, at full-rated current Temperature Rise: Standard - max. 30°C (86°F) after 250 cycles of overload @ 150% of rated current (DC). Fed. Spec. - max. 30°C (86°F) after 250 cycles of overload @ 200% of rated current (DC).	Dielectric Voltage: withstands 2000V per UL498 Current interrupting: yes, at full-rated current Temperature Rise: max. 30°C (86°F) after 100 cycles of overload.
Mechanical	Terminal Accommodation: #14 - #10 AWG Voltage ratings permanently marked on device.	Terminal Accommodation: #14 - #10 AWG Voltage ratings permanently marked on device.	Terminal Accommodation: #14 - #10 AWG Voltage ratings permanently marked on device.	Terminal Accommodation: #14 - #10 AWG Voltage ratings permanently marked on device.	Terminal Accommodation: #14 - #10 AWG Voltage ratings permanently marked on device.
Materials:					
Body Top	Thermoplastic, Nylon 6/6	Thermoplastic, Nylon 6/6	Thermoplastic, PVC	Thermoplastic, Nylon	Thermoplastic, Nylon
Body Bottom	Thermoplastic, PVC	Thermoplastic, PVC	Thermoplastic, PVC	Thermoplastic, Nylon	Thermoplastic, Nylon
Strap	Nickel-Plated Steel	Nickel-Plated Steel	Nickel-Plated Steel	Nickel-Plated Steel	Nickel-Plated Steel
Contacts	Brass Alloy	Brass alloy	Brass Alloy	Brass Alloy	Brass Alloy
Terminal Screws	Brass/Nickel-Plated Stainless Steel	Brass/Nickel-Plated Stainless Steel	Brass/Nickel-Plated Stainless Steel	Brass/Nickel-Plated Stainless Steel	Brass/Nickel-Plated Stainless Steel
Terminal Clamps	Nickel-Plated Steel	Nickel-Plated Steel	N/A	Nickel-Plated Steel	Nickel-Plated Steel